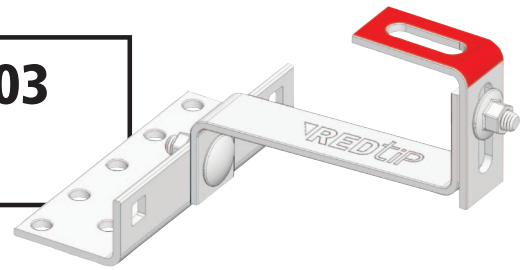


# Installation Guide

## REDtip Roof Hook M103

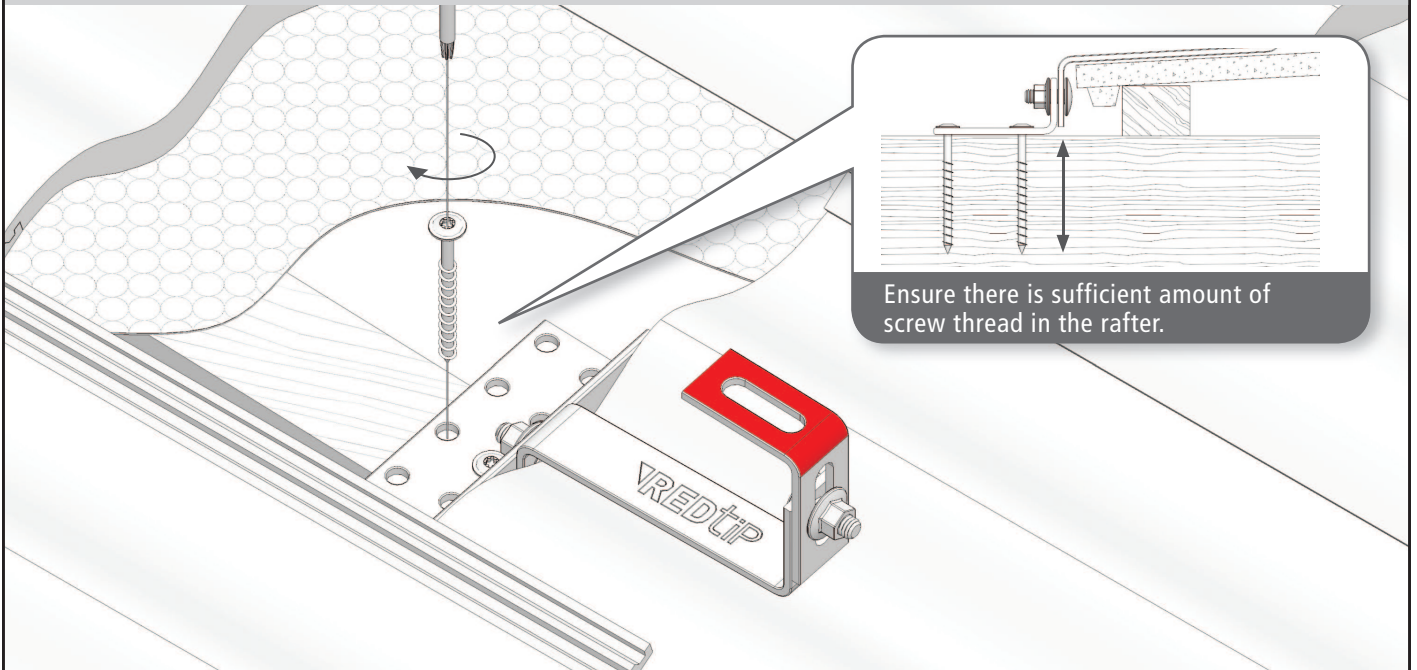
Compatible with profiled tiles

See REDtip selector chart



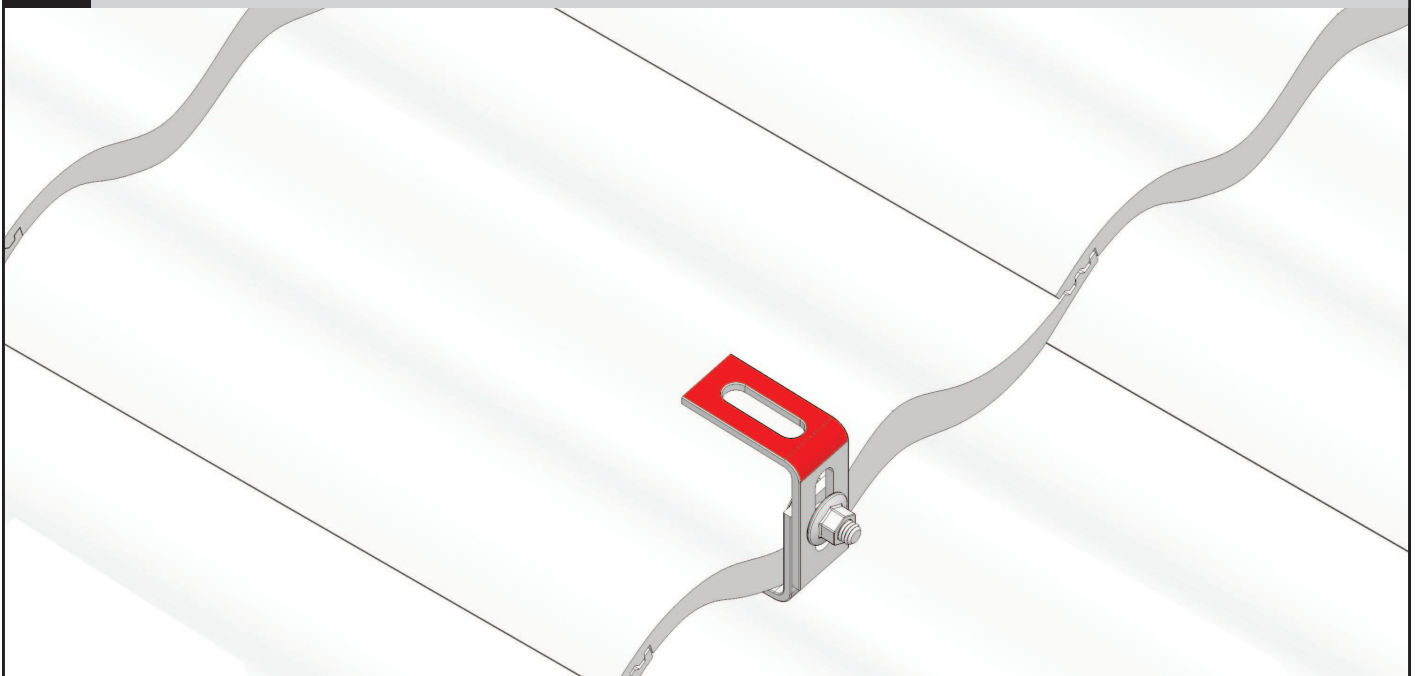
1

Remove tile/s and identify a suitable rafter to attach the REDtip roof hook. Adjust hook to match tile profile. Tighten bolts securely. Nominal 8NM. Ensure the screws are fully tightened to secure the roof hook.



2

To ensure a weather tight fit, you may have to grind the lip of tile to the depth of the hook.



**REDtip**<sup>TM</sup>  
solar mounting systems



Visit our website and see how it's done in real time action, by scanning the QR code. You can download QR readers from App Store. [www.redtip.co](http://www.redtip.co)